



IDEAL FOR ANGLED CEILINGS

# BT899XL-FD

## EXTRA-LARGE PROJECTOR CEILING MOUNT WITH MICRO-ADJUSTMENT

The BT899XL-FD is a fixed drop ceiling mount which has been designed to mount universal projectors up to 25kg. Available in a choice of 6 pole lengths from just 0.25m up to 3m, this fixed drop mount features an adjustable ceiling plate ideal for mounting to angled ceilings. The BT899XL-FD is designed with easy adjustment of tilt, roll and swivel, with optional micro-adjustment for short throw projectors.

### SPECIFICATION

Max load	25kg
Tilt (pitch)	+/- 13°
Roll	+/- 6°
Yaw	360°
Ceiling plate tilt	90°
Max distance between fixings	493mm
Color option (Ø50mm pole)	Black, White or Chrome

### FEATURES

- Integrated cable management for smart installation
- Security locking screws and Allen key provided for a secure installation
- Suitable for angled ceilings
- Unique 'Carousel' mounting plate for universal compatibility
- Suitable for projectors using M2.5, M3, M4, M5 and M6 fixings

### AVAILABLE IN 6 POLE LENGTHS

BT899XL-FD025	0.25m Pole	BT899XL-FD150	1.5m Pole
BT899XL-FD050	0.5m Pole	BT899XL-FD200	2m Pole
BT899XL-FD100	1m Pole	BT899XL-FD300	3m Pole



Unique 'carousel' mounting plate for universal compatibility



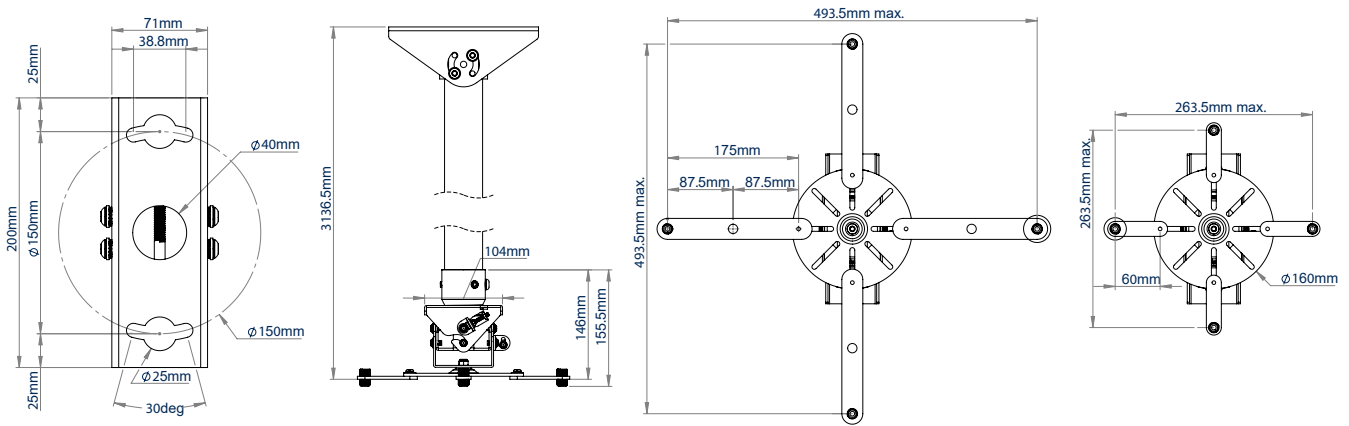
Features easy tilt, roll and swivel functions



Micro-adjustment feature is ideal for short throw projectors



Ceiling plate can be mounted onto a ceiling with angles up to 90°



PACKING INFORMATION

ORIGINAL DESIGNS BY B-TECH AV MOUNTS - REGISTERED DESIGNS & PATENTS APPLY

COLOUR:	ORDER REF:	EAN CODE:	MASTER CARTON QTY:	INNER CARTON QTY:	MASTER CARTON WEIGHT:	MASTER CARTON CUBE:
Black	BT899XL-FD025/BB	5019318761157	1	N/A	4.45kg	0.01cmb
Chrome	BT899XL-FD025/BC	5019318761164	1	N/A	4.45kg	0.01cmb
Black	BT899XL-FD050/BB	5019318761171	1	N/A	4.93kg	0.01cmb
White	BT899XL-FD050/BW	5019318761362	1	N/A	4.93kg	0.01cmb
Chrome	BT899XL-FD050/BC	5019318761188	1	N/A	4.93kg	0.01cmb
Black	BT899XL-FD100/BB	5019318761195	2	N/A	3.95kg / 1.93kg	0.00cmb / 0.00cbm
White	BT899XL-FD100/BW	5019318761379	2	N/A	3.95kg / 1.93kg	0.00cmb / 0.00cbm
Chrome	BT899XL-FD100/BC	5019318761201	2	N/A	3.95kg / 1.93kg	0.00cmb / 0.00cbm
Black	BT899XL-FD150/BB	5019318761218	2	N/A	3.95kg / 3.09kg	0.00cbm / 0.01cmb
White	BT899XL-FD150/BW	5019318761386	2	N/A	3.95kg / 3.09kg	0.00cbm / 0.01cmb
Chrome	BT899XL-FD150/BC	5019318761225	2	N/A	3.95kg / 3.09kg	0.00cbm / 0.01cmb
Black	BT899XL-FD200/BB	5019318761232	2	N/A	3.95kg / 3.83kg	0.00cbm / 0.01cmb
Chrome	BT899XL-FD200/BC	5019318761249	2	N/A	3.95kg / 3.83kg	0.00cbm / 0.01cmb
Black	BT899XL-FD300/BB	5019318761256	2	N/A	3.95kg / 6.8kg	0.00cbm / 0.01cmb
Chrome	BT899XL-FD300/BC	5019318761263	2	N/A	3.95kg / 6.8kg	0.00cbm / 0.01cmb

ACCESSORIES AND RELATED PRODUCTS OF THE BT899XL-FD



**BT7850**  
Ø50mm Poles available in different lengths up to 3m

**BT7822**  
Ceiling Mount securely fixes Ø50mm poles to the ceiling

**BT7808**  
Ceiling Mount with Tilt ideal for mounting Ø50mm poles to angled ceilings

**BT899**  
Projector Ceiling Mount with Micro-Adjustment Maximum distance between fixings 370mm

© 2016 B-Tech Av Mounts. All rights reserved. The information in this specification is subject to change without notice. B-Tech Av Mounts and the B-Tech logo are registered trademarks of B-Tech Av Mounts. All other trademarks are the property of their respective owners. B-Tech Av Mounts is not responsible for any damage caused by improper or unauthorized use of its products. Any reproduction or transmission of any part of this specification is strictly prohibited unless prior written permission has been granted by B-Tech Av Mounts Ltd. (BTL).

SS-BT899XL-FD-V2.2-041019