



EASY,
 INCREMENTED
 TILT ADJUSTMENT
 UP TO +20°

BT893

HEAVY DUTY PROJECTOR CEILING MOUNT WITH MICRO-ADJUSTMENT



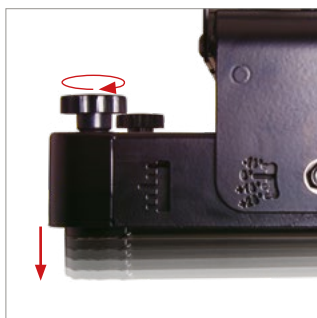
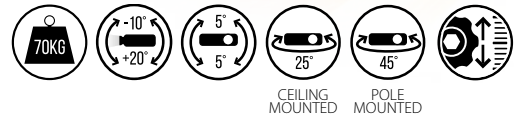
Designed to mount projectors up to 70kg, this heavy duty projector mount can be fixed directly to the ceiling or can be mounted to any B-Tech Ø50mm pole (ideal for installing in areas with high ceilings where a larger ceiling drop is required). The projector fixes to an extendable mounting plate, with optional extension legs included to accommodate larger fixing patterns. The mounting plate of the BT893 uses 4-point micro-adjustment for added flexibility, so that a perfectly aligned projection can be achieved.

SPECIFICATION	
Max load	70kg
Tilt (pitch)	+20° / -10° (+/- 5° with micro-adjustment)
Yaw (ceiling mounted)	25°
Yaw (pole mounted)	45°
Roll	+/-5°
Ceiling drop	153mm* (+/-10mm with micro-adjustment)
Max distance between fixings	873mm
Max distance (square fixing pattern)	618mm

*Add 20mm to ceiling drop if extension legs are used

FEATURES

- Designed to mount heavy duty projectors to the ceiling
- Features easy, incremented tilt adjustment
- Micro-adjustment thumbwheels at 4-points for controlled and precise adjustment of the projector
- Ideal for use with projection mapping projectors
- Quick and easy assembly
- Can be mounted to the ceiling directly or to any B-Tech Ø50mm pole
- Optional extension legs can be used to accommodate larger fixing patterns
- Suitable for projectors using M6, M8, M10 and M12 fixings
- All mounting hardware included



Micro-adjustment thumbwheels at 4-points for controlled and precise adjustment of the projector



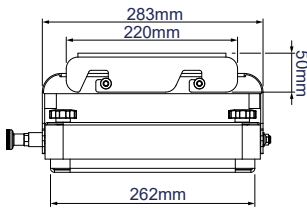
Can be mounted directly to the ceiling or from any B-Tech Ø50mm pole



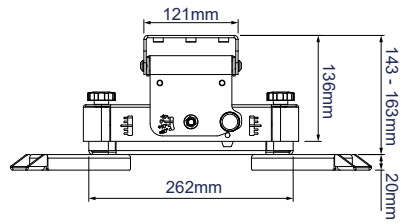
Features easy, incremented tilt adjustment



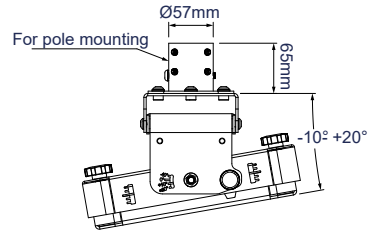
Optional extension legs can be used to accommodate larger fixing patterns



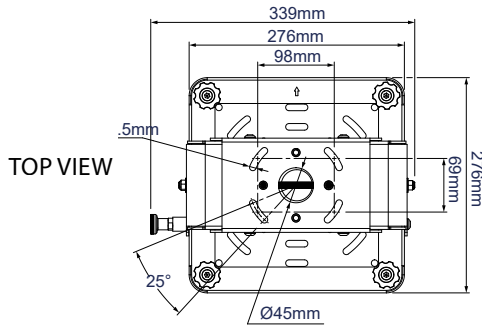
FRONT VIEW



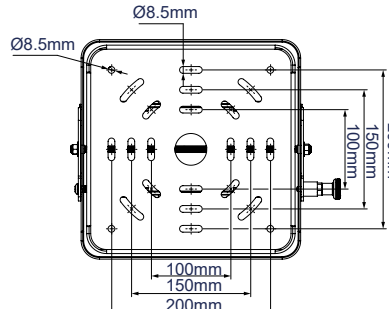
SIDE VIEW
WITH INCLUDED SHORT EXTENSION LEGS



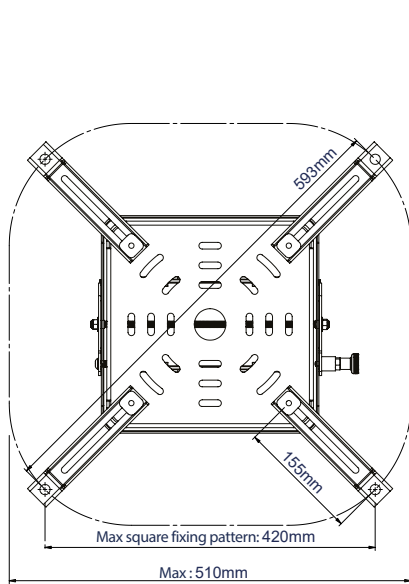
SIDE VIEW
WITH INCLUDED POLE ADAPTOR



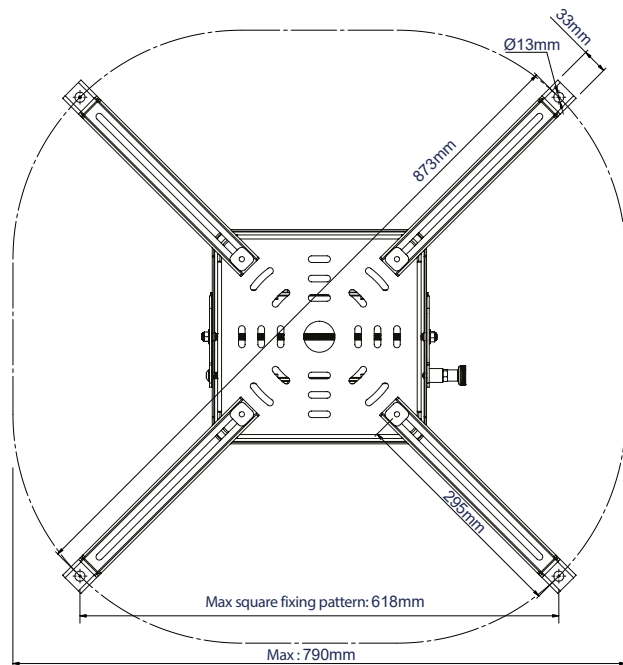
TOP VIEW



BOTTOM VIEW



BOTTOM VIEW
WITH INCLUDED SHORT EXTENSION LEGS



BOTTOM VIEW WITH INCLUDED LONG EXTENSION LEGS

PACKING INFORMATION

COLOUR:	ORDER REF:	EAN CODE:	MASTER CARTON QTY:	INNER CARTON QTY:	MASTER CARTON WEIGHT:	MASTER CARTON CUBE:
Black	BT893/B	5019318759819	1	0	11.5kg	0.025cbm

ORIGINAL DESIGNS BY B-TECH AV MOUNTS - REGISTERED DESIGNS & PATENTS APPLY

ACCESSORIES AND RELATED PRODUCTS

BT7822



Heavy Duty Ceiling Mount can be used with B-Tech poles to create a fixed drop ceiling mount

BT7850



Ø50mm poles are available in a variety of lengths and can be used with **BT7822** & **BT893** to create a fixed drop ceiling mount

BT893-FD



Fixed Drop Heavy Duty Projector Ceiling Mount for projectors up to 70kg

BT893-AD



Adjustable Drop Heavy Duty Projector Ceiling Mount for projectors up to 70kg

© 2019 B-Tech Av Mounts Ltd. All rights reserved.
The information in this specification sheet reflects the current technical specifications as of the date of print.
We reserve the right to change the technical or physical specifications without prior notice. This B-Tech Av Mounts logo and design are registered trademarks of B-Tech Av Mounts Ltd. All other trademarks are the property of their respective owners.
B-Tech Av Mounts Ltd. is not responsible for loss or damage caused by improper installation or mounting on unsuitable structures. Any reproduction or retransmission or adaptation of any part of this specification is expressly prohibited, unless prior written permission has been granted by B-Tech Av Mounts Ltd. Ltd. (B-Tech Av Mounts Ltd. is a registered company in the United Kingdom.)

BT893-050819