



ULTRA-SLIM  
 DESIGN

# BT8312

## ULTRA-SLIM POP-OUT VIDEO WALL MOUNT



Designed to make video wall installations as quick and simple as possible, this modular video wall mount can be used to create unlimited video wall configurations in both landscape and portrait format. The BT8312 has an ultra-low profile for mounting into walls with a shallow recess or when space in front of the wall is minimal. The pop-out system enables quick and easy access to the rear of mounted screens for servicing and maintenance and +/-7.5mm micro-adjustment makes accurate screen alignment quick and easy.

### SPECIFICATION

Recommended screen size	42" - 70" (46" - 70" in portrait)
Max load	50kg
VESA® compatibility as standard	200 x 100 up to 400 x 400
VESA® compatibility with included adaptors	up to 600 x 400*
Flat to wall depth	63.1mm*(+/-7.5mm with micro-adjustment)
Popped out depth	235.1mm*(+/-7.5mm with micro-adjustment)
Tool less micro-adjustment	+/-7.5mm per corner
Screen height adjustment	+15mm

\*Please note using the included Interface Adaptor Arms to mount VESA 600 x 400 screens will increase the total depth of the product by 6mm, for a total depth of: 69.1mm or 241.1mm whilst popped out.



### FEATURES

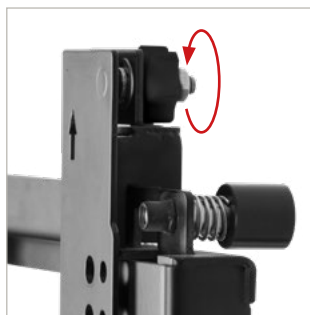
- Ultra-slim design ideal for low profile installs on walls or in shallow recesses
- Modular mount allows videowall assembly in an unlimited number of configurations
- Suitable for landscape or portrait screen mounting
- Pop-out system provides quick and easy service access
- Tool-less micro-adjustment of +/-7.5mm at each corner for seamless display alignment
- Suitable for both wall or pole mounting
- Keyhole mounting for quick and easy installation
- Screen specific wall plate spacers kits are available (separately) to speed up installation times
- Integrated locking mechanism prevents accidental pop-out of mount
- Safety screws help prevent unauthorised removal of screens
- Includes Interface Adaptor Arms as standard for use with screens with VESA 600 x 400 fixings
- Adaptor arms for VESA 800 x 400 fixings (BT7565) available separately



Modular mount allows video wall assembly in an unlimited number of configurations



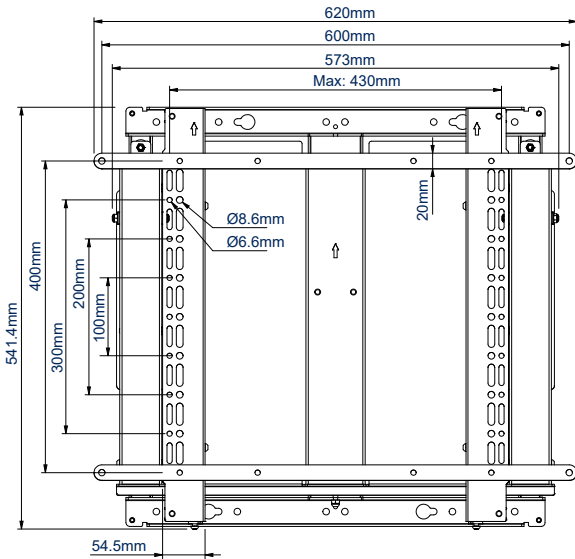
Pop-out system provides quick and easy service access



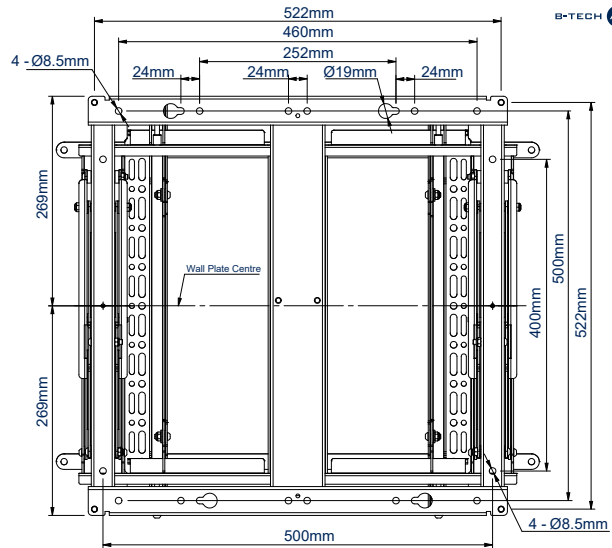
Tool less micro-adjustment of +/-7.5mm at each corner for seamless display alignment



Optional Interface Adaptor Arms for VESA 600 x 400 fixings included as standard

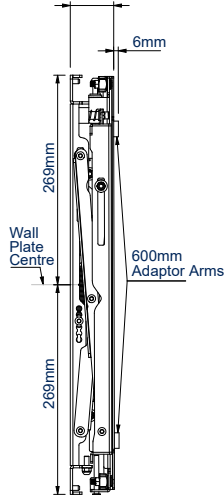


FRONT VIEW WITH ADAPTOR ARMS



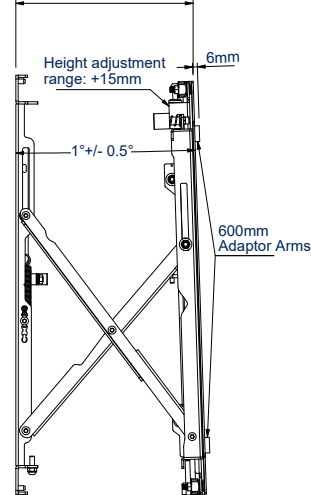
REAR VIEW

63.1mm (±1.5mm Tolerance) \*  
(+/-7.5mm Micro-Adjustment)



SIDE VIEW CLOSED

235.1mm (±1.5mm Tolerance) \*\*  
(+/-7.5mm Micro-Adjustment)



SIDE VIEW EXTENDED

\*Total depth increased to **69.1mm** (+/-7.5mm micro-adjustment) when using VESA 600 x 400 adaptors  
\*\*Total depth increased to **241.1mm** (+/-7.5mm micro-adjustment) when using VESA 600 x 400 adaptors

PACKING INFORMATION

ORIGINAL DESIGN BY B-TECH - REGISTERED COMMUNITY DESIGN NO.: 004060085-0001

COLOUR:	ORDER REF:	EAN CODE:	MASTER CARTON QTY:	INNER CARTON QTY:	MASTER CARTON WEIGHT:	MASTER CARTON CUBE:
Black	BT8312/B	5019318081231	1	0	13kg	0.054cbm

ACCESSORIES AND RELATED PRODUCTS



**BT8312-SP**  
Mounting Template Spacers for BT8312 speed up installation times



**BT7822**  
Heavy Duty Floor / Ceiling Mount can be used in conjunction with B-Tech poles and collars to create pole mounted solutions



**BT7841**  
50mm Accessory Collar for fixing mounts & accessories to Ø50mm poles



**BT7850**  
50mm Diameter Poles are available in a choice of 6 lengths and can be used to create multiple pole mounted solutions

© 2016 B-Tech International Design & Manufacturing Limited. All rights reserved. The information in this specification is for reference only and does not constitute an offer of any product. B-Tech International Design & Manufacturing Limited is not responsible for any damage or loss of data caused by improper use of the product. B-Tech International Design & Manufacturing Limited is not responsible for any damage or loss of data caused by improper use of the product. B-Tech International Design & Manufacturing Limited is not responsible for any damage or loss of data caused by improper use of the product. B-Tech International Design & Manufacturing Limited is not responsible for any damage or loss of data caused by improper use of the product.