



TECHNICAL SPECIFICATIONS

This **SCREEN WINCH SYSTEM** has been developed to obtain smaller overall dimensions of the system for motorized screens **up to 300 cm.** of width.

The maximum stroke of the Screen Winch System will be 7 mt.

Screen Winch is supplied with a manual switch but can be also ordered with a multichannel external RF remote control.

It is supplied with three brackets for fixing the winch to the ceiling and a cable coiler, to be positioned to the ceiling behind the screen winch. Its purpose is to supply power to the electrical projection screen. Moreover, a **SAFETY DEVICE** is built-in in order to offer maximum security in case of any failure of the mechanism.

- Motor

- Power: **50 Nm**
- Speed: **11 rpm**
- Power supply: **230V / 50 Hz**
- Consumption: **255 W**
- Certification: **IMQ**

- Roll down speed of Screen Winch System: 19 sec./metre

- Two strong steel cables diameter: 3 mm. – Breaking test load: 350 kg. for each cable

- Screen Winch housing dimensions: 2060x200x170 mm. (WxDxH)

- Net weight of the Screen Winch System: kg. 30

- Maximum load that can be hung to the winch: kg. 36

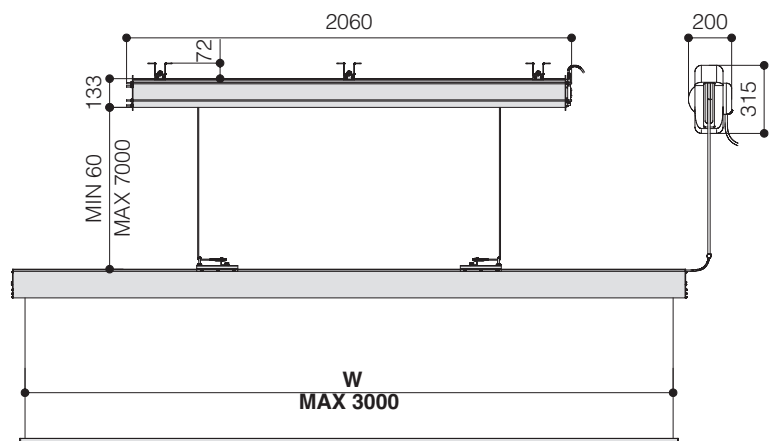
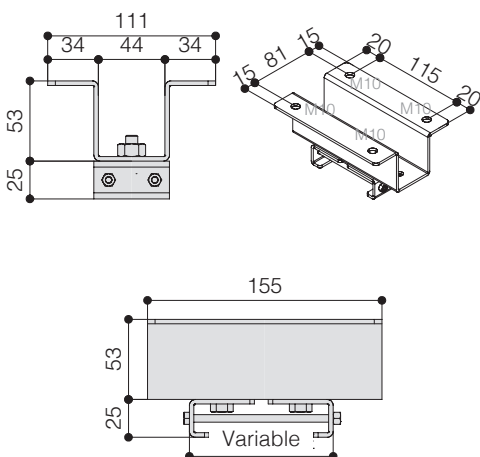
- Safety device and cable coiler included

- On the Screen Winch can be only mounted one of the following screens: COMPACT, ELLIPSE, E-LITE up to 300 cm. of width.

- Screen Winch System plus screen housing in closed position: minimum height 35 cm.

Optional: Sloping ceiling brackets (p. 67)

Ceiling mounting bracket



The measures in the drawings are expressed in millimetres.

Warranty: 24 months

ENGINEERED LIKE NO OTHER SCREEN IN THE WORLD