



**COMPACT HOME CINEMA** is an electric screen dedicated to the Home Theatre market and it is the right alternative to the Double Format or to the Compact Tensioned screens because high quality features mark it out from the other Home Theatre models.

A black drop on the top of the projection surface allows to install this screen inside false ceilings or inside rooms with high ceiling.

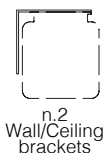
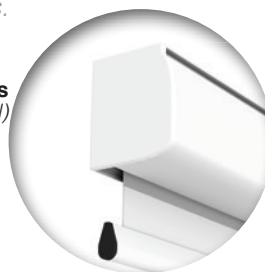
Side black borders let perceive a brighter and sharper image.

*Available in 4:3, 16:9 and 16:10 formats or bespoke sizes.*



**False ceiling trim kit**  
(optional - for details see p. 48)

**White side covers**  
(optional)



n.2  
Wall/Ceiling  
brackets

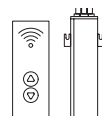


n.1  
On/off  
switcher

**INCLUDED**



RF Remote  
control with  
receiver  
built-in motor



Kit RF Remote  
control with  
external  
receiver



Interface  
switch 12 volt



Low voltage  
contact  
interface



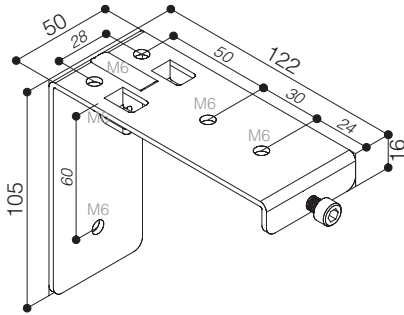
Faster and  
quiet motor

**OPTIONAL** pag 62-63

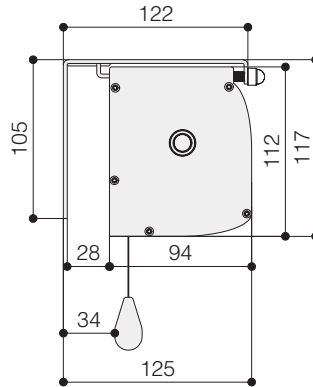
**DROP OF  
PROJECTION  
CLOTH**  
STANDARD

**FRONT DROP OF  
PROJECTION  
CLOTH**  
(optional)

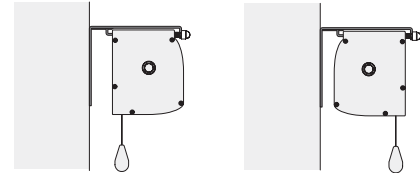
### WALL-CEILING BRACKET



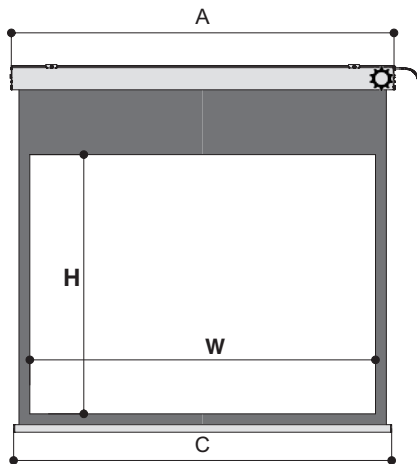
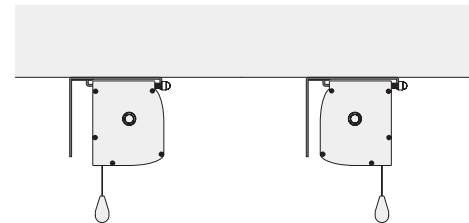
### HOUSING DIMENSIONS



### WALL MOUNTING



### CEILING MOUNTING



### TECHNICAL SPECIFICATIONS

- Silent motor system provides a smooth and quiet operation
  - Power: **6 Nm**
  - Speed: **17 rpm**
  - Power supply: **230V / 50 Hz**
  - Consumption: **137 W**
  - Certification: **IMQ**
- Totally manufactured from aluminium
- Smart design and easy to install
- Housing dimensions: 94x112 mm. (DxH)
- Housing painted with white epoxy powders (RAL 9010)
- Two universal mounting brackets either for ceiling or for wall
- On/off switcher included
- Power cable located at the **right** side of the screen housing seen from the front
- Flame-retardant projection surfaces - classification M1, M2 and B1
- Side black borders of 5 cm., black bottom border of 5 cm., black top drop of 30 cm. and black dowel bar: height 35 mm. - depth 20 mm.
- Screen housing available in different colours (optional)

### DIMENSIONS measures in cm

4:3 Ratio Viewing area (WxH)	16:9 Ratio Viewing area (WxH)	16:10 Ratio Viewing area (WxH)	Overall dimensions A - C	Approx. net weight (Kg)
160 x 120	160 x 90	160 x 100	179 - 174	15
180 x 135	180 x 101	180 x 112	199 - 194	16
200 x 150	200 x 112	200 x 125	219 - 214	18
220 x 165	220 x 124	220 x 137	239 - 234	20
250 x 190	250 x 140	250 x 156	269 - 264	23
300 x 225	300 x 169	300 x 187	319 - 314	26

### PROJECTION CLOTHS

Front projection surfaces	Gain		
White	1.2		
Matte White	1.2		
Lumi Grey	0.8		
Microperforated	1.1		
Lumi Grey Microperforated	0.8		
Cinesound*	0.7		
Fibre Matte*	1.25		
Ultra HD	1.2		

\*Limited in height

The measures in the drawings are expressed in millimetres.

**Warranty:** 5 years on the motor - 24 months on the other components

