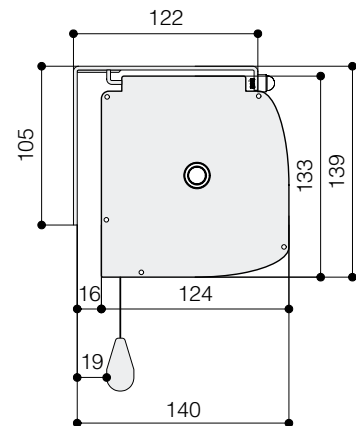


False ceiling trim kit
(optional - for details see p. 48)

HOUSING DIMENSIONS

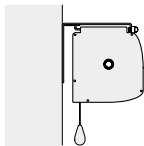


TECHNICAL SPECIFICATIONS

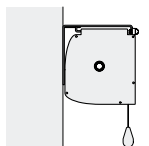
- Silent motor system provides a smooth and quiet operation
 - Power: **10 Nm**
 - Speed: **17 rpm**
 - Power supply: **230V / 50 Hz**
 - Consumption: **156 W**
 - Certification: **IMQ**
- Nm 9
Rpm 26
Faster and quiet motor (optional)

- Totally manufactured from aluminium
- Housing dimensions: 124x133 mm. (DxH)
- Housing painted with white epoxy powders (RAL 9010)
- Power cable located at the **right** side of the screen housing seen from the front
- Flame-retardant projection surfaces – classification M1, M2 and B1
- Black side borders of 5 cm., black bottom border of 5 cm., black top drop of 30 cm. and black dowel bar: height 35 mm. depth 20 mm.

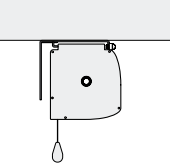
WALL MOUNTING



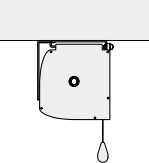
FRONT FALL



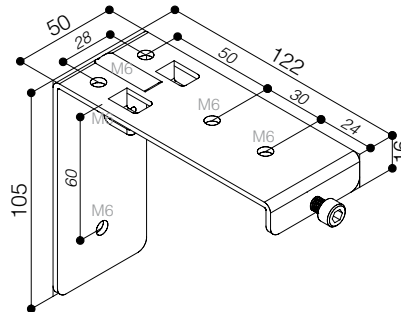
CEILING MOUNTING



FRONT FALL

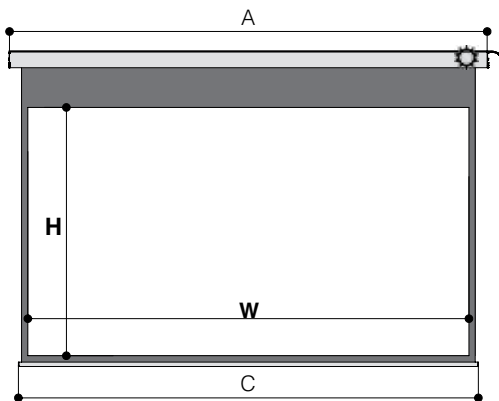


WALL CEILING BRACKET

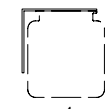


The **MAJOR HOME CINEMA** is an electric screen dedicated to the Home Theatre market with high quality features. It has a 30 cm. black drop on the top of the projection surface and black side borders that let perceive a brighter and sharper image.

Available in 4:3, 16:9 and 16:10 ratios or bespoke sizes.



The measures in the drawings are expressed in millimetres.

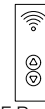


n.4 Wall/Ceiling brackets



n.1 On/off switcher

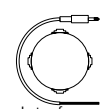
INCLUDED



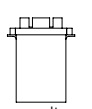
RF Remote control with receiver built-in motor



Kit RF Remote control with external receiver



Interface switch 12 volt



Low voltage contact interface

OPTIONAL pag 62-63

DIMENSIONS measures in cm

4:3 Ratio Viewing area (WxH)	16:9 Ratio Viewing area (WxH)	16:10 Ratio Viewing area (WxH)	Overall dimensions A - C	Approx. net weight (Kg)
350 x 265	350 x 197	350 x 219	371 - 364	32
400 x 300	400 x 225	400 x 250	421 - 414	38
-	450 x 253	450 x 281	471 - 464	42

PROJECTION CLOTHS

Front projection surfaces	Gain		Gain
Matte White	1.2	Lumi Grey Microperforated	0.8
Lumi Grey	0.8	Ultra HD	1.2
Microperforated	1.1		

Warranty: 5 years on the motor - 24 months on the other components