

The **PROJECTOR LIFT SI-100** is a versatile product that enables the installation of projectors in environments where particular aesthetical solutions are needed.

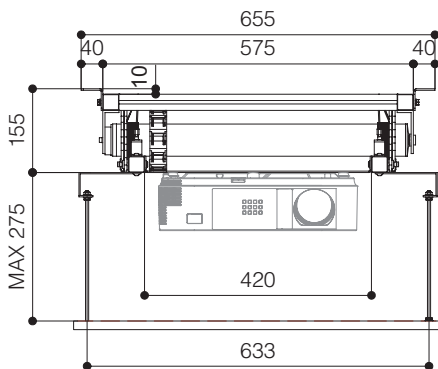
The product has been developed to be installed inside false ceilings in order to hide projector, lift and cables, thus granting the best aesthetic and practical solution.

SI-100 is supplied with an extremely silent motor that allows a descent from a minimum of 16 cm. to a maximum extent of 97 cm.

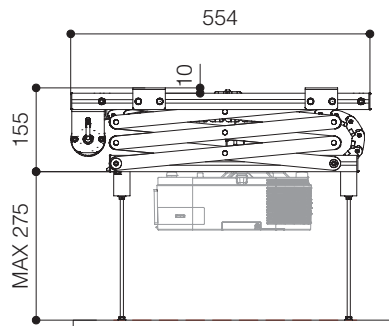
An interesting element of this lift is a cable gathering system with a raceway where to put the cables of the projector, so they will be hidden and tidy gathered together when the projector lift is moving. The lift is supplied with **safety screws**.

** Ceiling cover plate is NOT included*

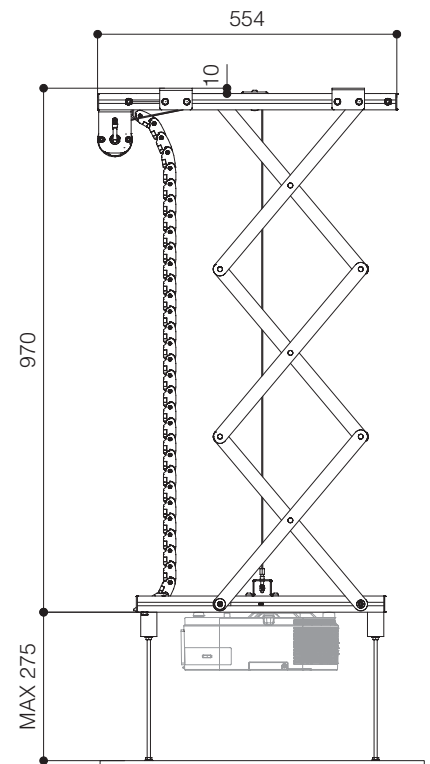
Frontal view closed



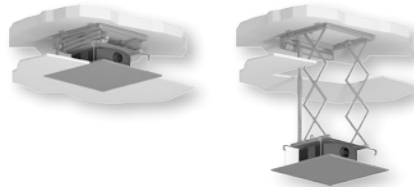
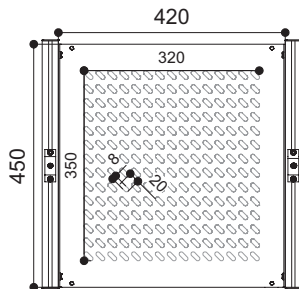
Side view closed



Side view open



Maximum size projector anchoring points



Optionals:

- Ceiling tile holder (details p. 64)
- Kit RF remote control with external receiver (details p. 62)
- Interface switch 12 volt (details p. 63)
- Low voltage contact interface (details p. 62)

TECHNICAL SPECIFICATIONS

| | |
|--|---------------------------|
| POWER SUPPLY | 220-230V - 50HZ |
| MAXIMUM CONSUMPTION | 156 W |
| TORQUE | 10 Nm |
| MOTOR SPEED | 17 rpm |
| DIMENSIONS LIFT CLOSED | 575x155x554 (WxHxD in mm) |
| DIMENSIONS LIFT OPENED | 575x970x554 (WxHxD in mm) |
| MOUNTING PLATE TOTAL DIMENSIONS | 420x450 (WxD in mm) |
| MOUNTING PLATE UPPER INTERNAL DIMENSIONS | 350x450 (WxD in mm) |
| MAXIMUM SIZE FIXING POINTS OF PROJECTOR | 320x350 (WxD in mm) |
| MAXIMUM PROJECTOR DIMENSIONS | 560x550 (WxD in mm) |
| MAXIMUM CAPACITY | 15 Kg |
| NET WEIGHT OF THE PROJECTOR LIFT | 12 Kg |
| CABLE GATHERING SYSTEM (internal dimensions) | 20x18 (WxH in mm) |

Warranty: 5 years on the motor - 24 months on the other components

ENGINEERED LIKE NO OTHER SCREEN IN THE WORLD